

GRAPHISOFT Learn™ BIM CLASSES

ARCHICAD BIM MODELING

LEARN HOW TO BUILD A BIM MODEL IN
Archicad.

ABOUT BIM MODELING

BIM is an acronym that stands for Building Information Modeling. When it comes to BIM everything starts with a 3D digital model of the building. A true BIM model consists of the virtual equivalents of the actual building parts and pieces used to build a building.

These elements have all the characteristics - both physical and logical of their real counterparts.

TRAINING OBJECTIVES

Get to know all the modeling tools of Archicad on an intermediate level. Learn how to model a mid-size commercial building.

WHO SHOULD ATTEND?

Basic level users who want to learn how to create a BIM model in Archicad. Intermediate users who want to update their knowledge.

PREREQUISITES

This training requires a basic Archicad knowledge. Taking the Archicad Essential Skills Training is strongly recommended.

DURATION

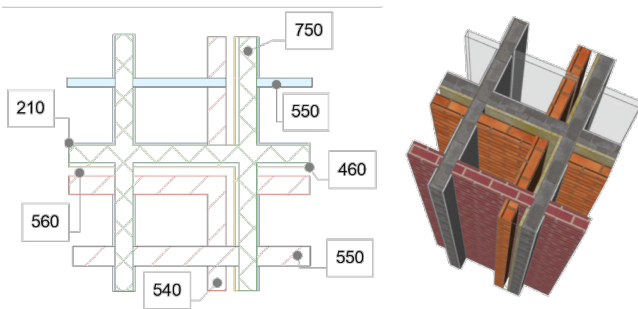
2 day (12 hours)



The goal of the Archicad BIM Modeling Training aims to explain how to build up the BIM model of a mid-size commercial building in Archicad. During the training the participants will get familiar with the main Design Tools and modeling tricks on an intermediate level.

COURSE OUTLINE

Archicad BIM MODELING



CONSTRUCTION ELEMENTS

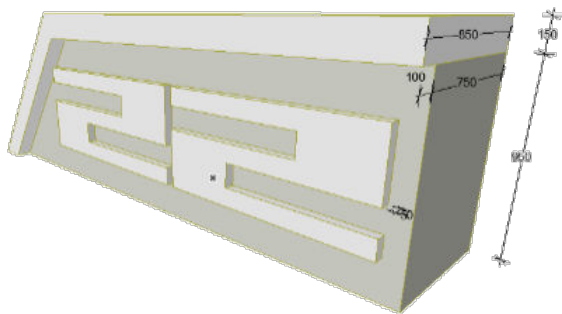
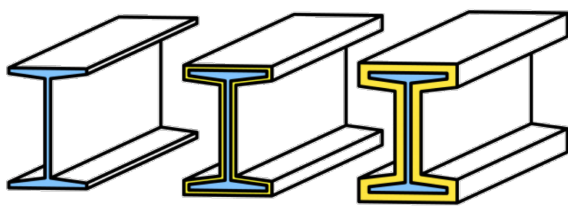
- + Beams
- + Columns
- + Grid Tool
- + Wall - End Tool
- + Curtain Walls
- + Shells
- + Morph Tool

ATTRIBUTES CREATIONS

- + Building Materials
- + Composite Structures
- + Parametric Profiles

ADDITIONAL CONTENT

- + Solid Element Operations
- + Custom Object Creation
- + Design Extras



SOFTWARE REQUIREMENTS

Participant must have access to a computer with the latest Archicad version installed. Valid commercial, trial or educational license of Archicad is required.

